

Name:

Date:

Area of Compound Shapes

GCSE

Edexcel

Mathematics

Grade (9-1)

Mark

Score (%)

<hr/> 43

--

Materials

For this paper you must have:

- Ruler
- Pencil, Rubber, Protractor and Compass
- Scientific calculator, which you are expected to use when appropriate

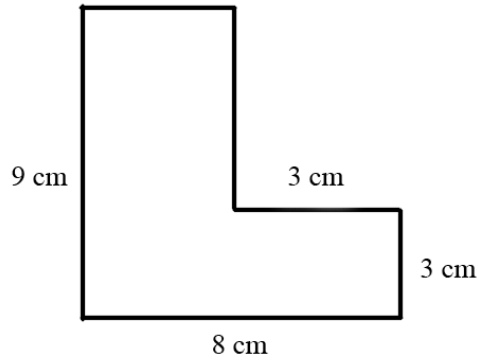
Instructions

- Answer all questions
- Answer questions in the space provided
- All working must be shown
- Do all rough work in this book. Cross out any rough work you don't want to be marked

Information

- The marks for the questions are shown in brackets

1

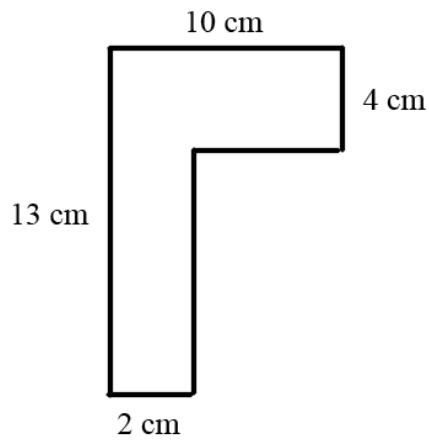


Calculate the area of the shape.

..... cm²

(Total for question 1 is 3 marks)

2

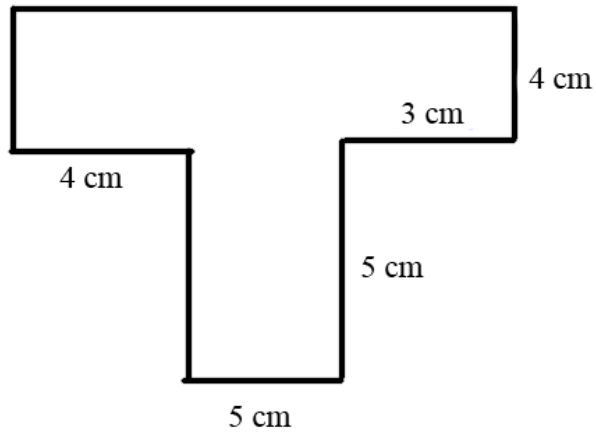


Calculate the area of the shape.

..... cm²

(Total for question 2 is 3 marks)

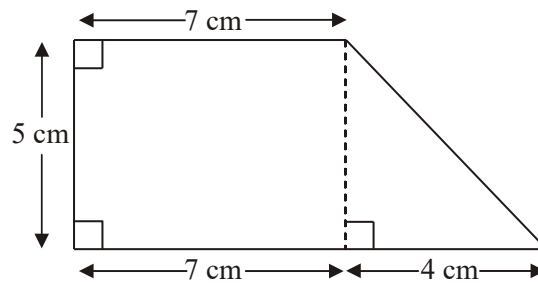
3



Calculate the area of the shape.

..... cm²
(Total for question 3 is 3 marks)

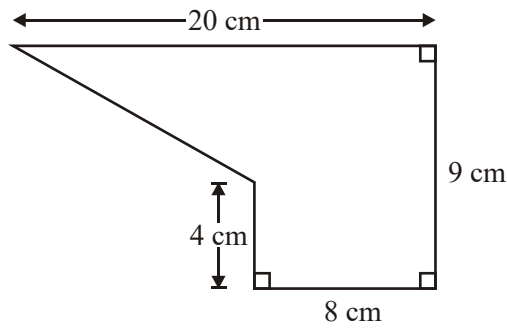
4



Work out the area of the shape.

..... cm²
(Total for question 4 is 3 marks)

5

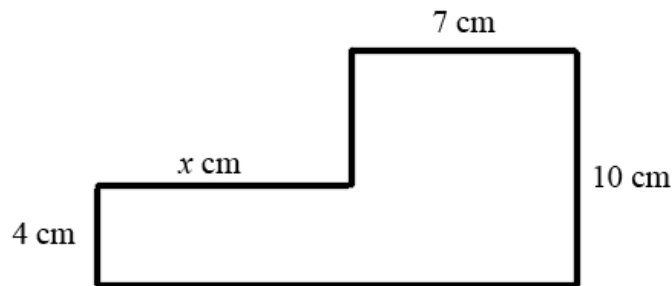


The diagram shows a shape.
Work out the area of the shape.

..... cm²

(Total for question 5 is 4 marks)

6

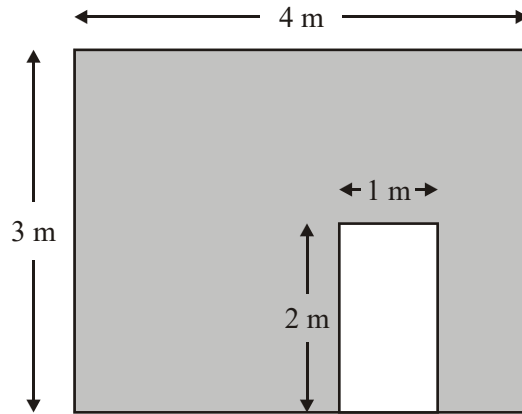


The area of the compound shape is 106 cm².
Work out the size of x .

..... cm²

(Total for question 6 is 3 marks)

7 The diagram shows a wall with a door in it.

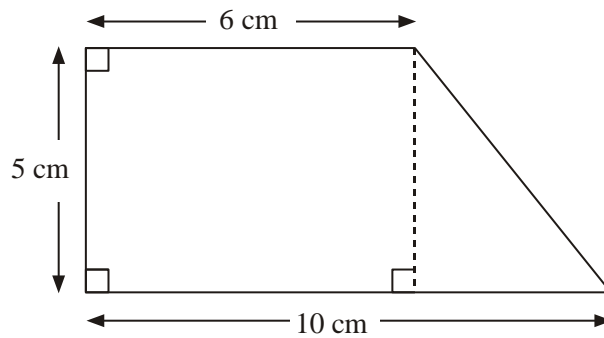


Work out the shaded area.

.....m²

(Total for question 7 is 3 marks)

8 Here is a trapezium.

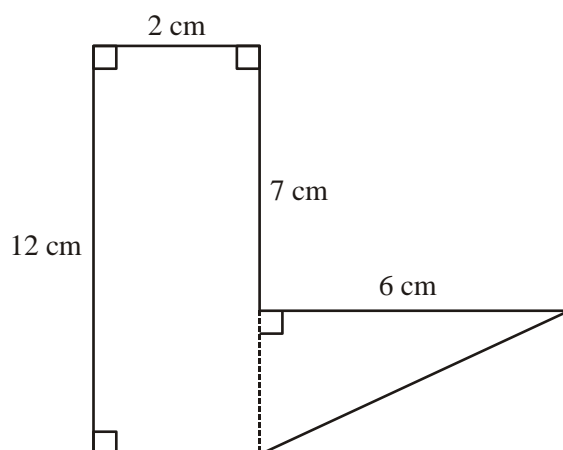


Work out the area of the trapezium.

..... cm²

(Total for question 8 is 3 marks)

- 9 The diagram shows a 6-sided shape made from a rectangle and a right-angled triangle.

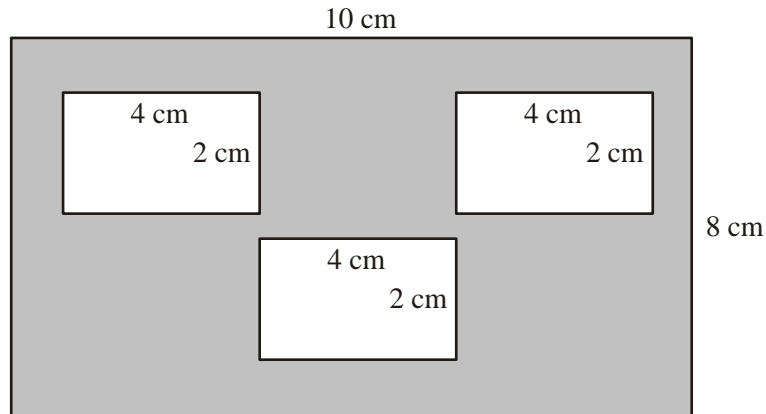


Work out the total area of the 6-sided shape.

.....cm²

(Total for question 9 is 3 marks)

10



The diagram shows 3 small rectangles inside a large rectangle.

The large rectangle is 10 cm by 8 cm.

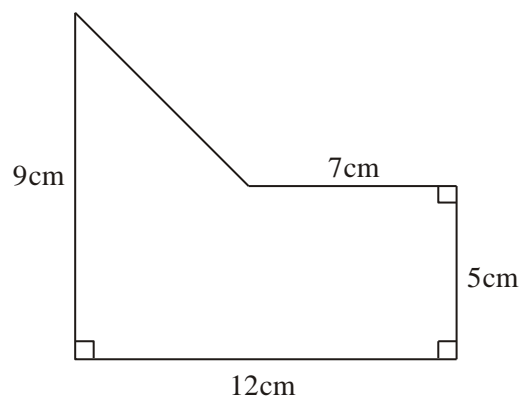
Each of the 3 small rectangles is 4 cm by 2 cm.

Work out the area of the region shown shaded in the diagram.

.....cm²

(Total for question 10 is 3 marks)

11

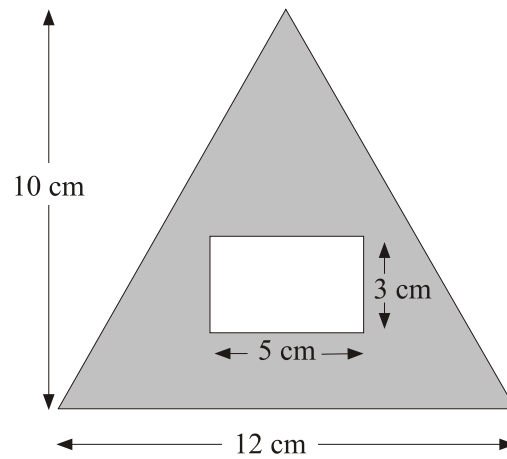


Work out the area of the shape.

..... cm²

(Total for question 11 is 4 marks)

12



The diagram shows a rectangle inside a triangle.

The triangle has a base of 12 cm and a height of 10 cm.

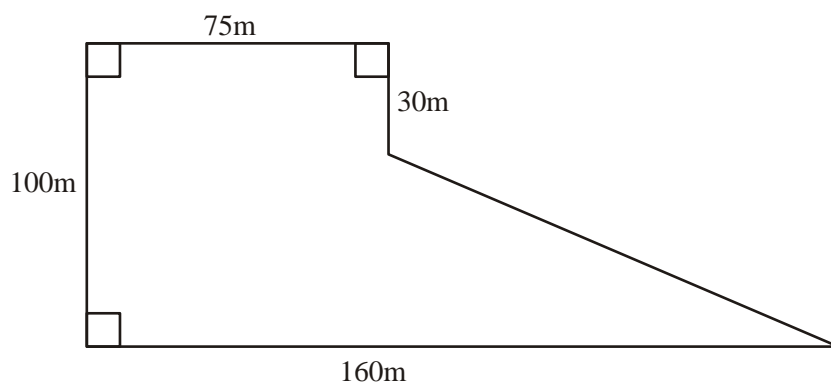
The rectangle is 5 cm by 3 cm.

Work out the area of the region shown shaded in the diagram.

..... cm²

(Total for question 12 is 3 marks)

13



The diagram shows the plan of a field.
The farmer sells the field for £3 per square metre.

Work out the total amount of money the farmer should get.

£

(Total for question 13 is 5 marks)